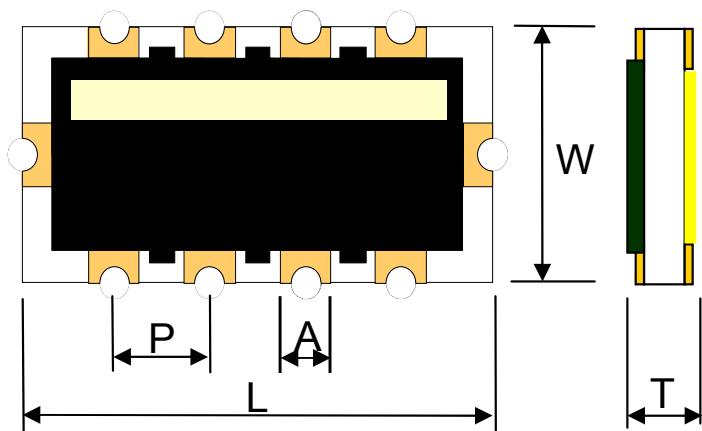


## 3216(1206) size “EZADT series”

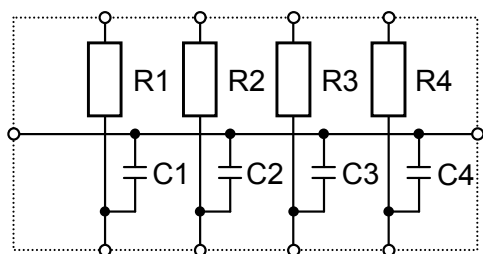
## 4 RC-circuits in one package

### Dimension



L	W	T	A	P	( mm )
3.2	1.6	0.65	0.35	0.635	

### Circuit



$$R1=R2=R3=R4$$

$$C1=C2=C3=C4$$

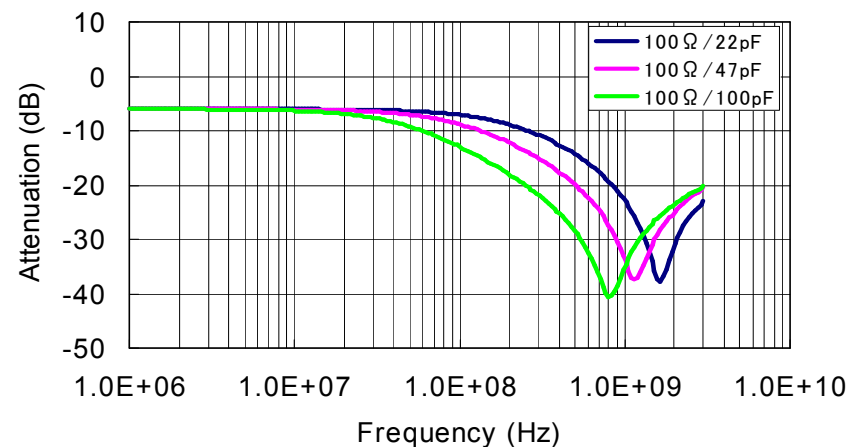
### Feature

- (1) 4 RC-circuits in a small chip : (3.2 mm x 1.6 mm )
- (2) Saving the placing area, 50% as compared with 0402 chips, 70% as compared with 0603 chips.

### Specification

Resistance Value	10 $\Omega$ to 100 k $\Omega$ : $\pm 5\%$ Standard : 22 $\Omega$ , 47 $\Omega$ , 100 $\Omega$ , 220 $\Omega$ , 470 $\Omega$ , 1000 $\Omega$
Rated Power	0.063 W (per resistor)
Capacitance Value	10 pF to 100 pF : +30%/-20% Standard : 22 pF, 47 pF, 100 pF
Rated Voltage	12 V
Temperature Range	-25 $^{\circ}$ C to +85 $^{\circ}$ C

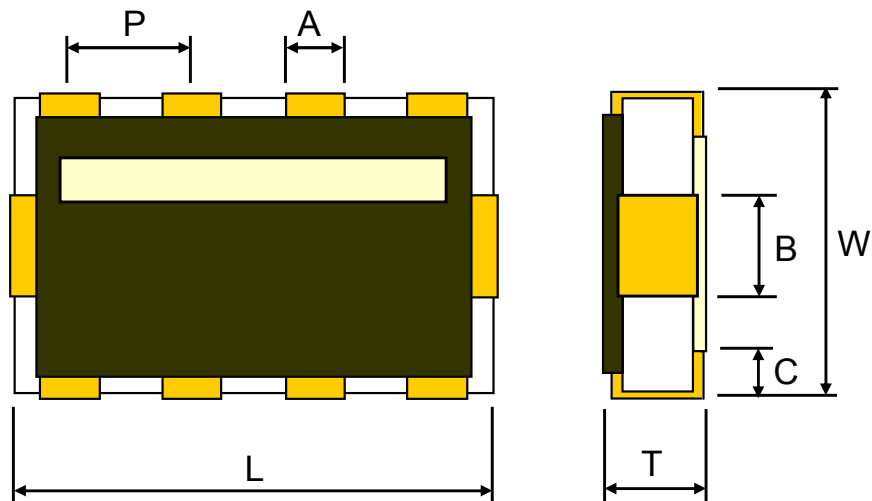
### Attenuation characteristic



## 2012(0805) size "EZACT series"

## 4 RC-circuits in one package

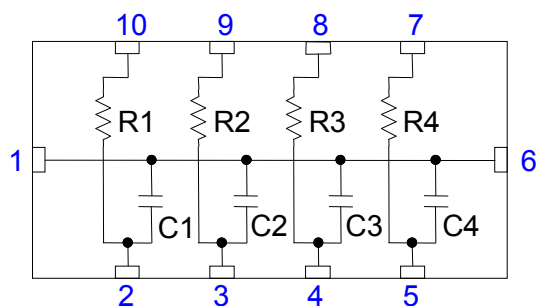
### Dimension



L	W	T	A	B	C	P
2.0	1.2	0.6	0.25	0.3	0.2	0.5

(mm)

### Circuit



$$R1=R2=R3=R4$$

$$C1=C2=C3=C4$$

### Feature

- (1) 4 RC-circuits in a small chip : (2.0 mm x 1.2 mm )
- (2) Saving the placing area, 75% as compared with 0402 chips.

### Specification

Resistance Value	10 $\Omega$ to 100 k $\Omega$ : $\pm 5\%$ Standard : 10 $\Omega$ , 22 $\Omega$ , 47 $\Omega$ , 100 $\Omega$
Rated Power	0.031 W (per resistor)
Capacitance Value	10 pF to 33 pF : +30%/-20% Standard : 10 pF, 22 pF
Rated Voltage	12 V
Temperature Range	-25 $^{\circ}\text{C}$ to +85 $^{\circ}\text{C}$

### Attenuation characteristic

